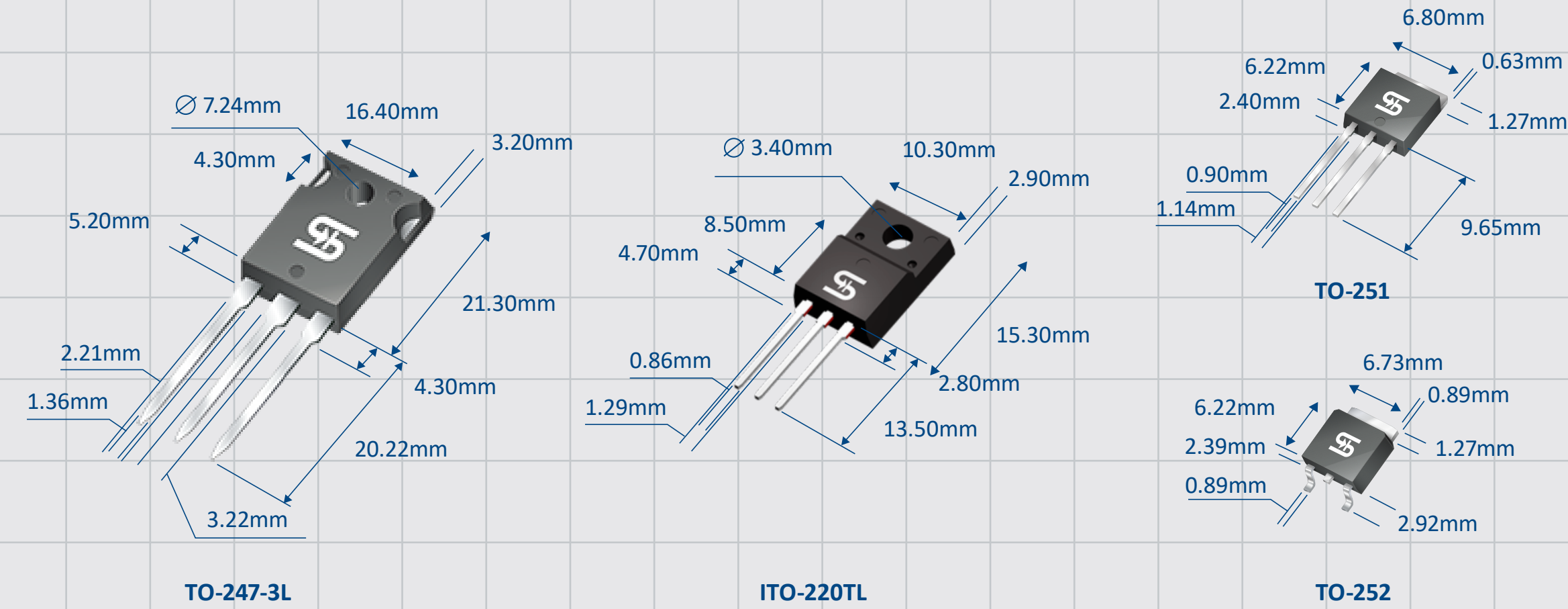


# NE Series 600V Super Junction MOSFETs

Taiwan Semiconductor introduces the 4th generation 600V NE series super junction MOSFETs designed for high-efficiency and density applications. The latest technology of the NE series enables exceptionally low on-state resistance and switching Figure-Of-Merit ( $Q \cdot R$ ). The achievement of a 30% FOM reduction compared to our previous technology puts this portfolio at the industry-leading edge of performance.

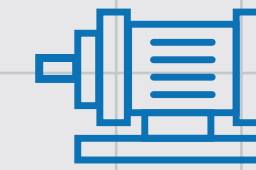
## PACKAGE



## APPLICATIONS



SERVER POWER



HIGH VOLTAGE MOTOR DRIVERS



SWITCHING POWER SUPPLY



LIGHTING

## SPECIFICATION

$BV_{DSS} (V) = 650$   
 $V_{GS(TH)} (V) = 4 \sim 6$   
 $V_{j, max} (^\circ C) = 150$

Part number	Package	$R_{DS(ON) max} (m\Omega)$	ID(A)
TSM60NE069CIT	ITO-220TL	69	26
TSM60NE084CIT		84	22
TSM60NE110CIT		110	19
TSM60NE145CIT		145	14
TSM60NE180CIT		180	13
TSM60NE200CIT		200	12
TSM60NE285CIT	TO-247-3L	285	7.1
TSM60NE048PW		48	61
TSM60NE069PW		69	46
TSM60NE084PW	TO-251	84	41
TSM60NE285CH		285	11
TSM60NE285CP		285	11

## FEATURES

4<sup>TH</sup>

4TH GEN SUPER JUNCTION TECHNOLOGY



HIGH GATE NOISE IMMUNITY

11%

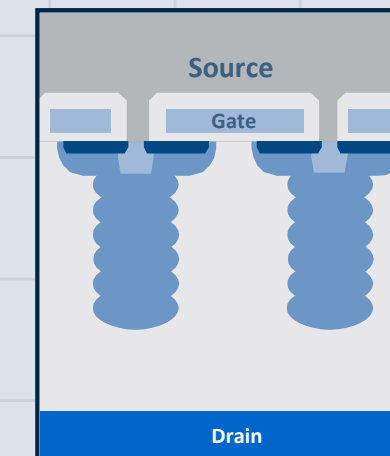
LOWER  $Q_{RR}$

30%

BETTER FOM ( $Q_g \times R_{DS(ON)}$ )\*

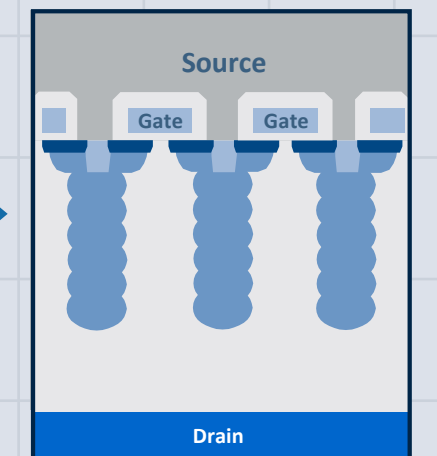
### Improved Density

Conventional



NC Series

New Structure



NE Series



Official Website



X



LinkedIn

For more information: [marketing@ts.com.tw](mailto:marketing@ts.com.tw)

© 2024 TAIWAN SEMICONDUCTOR, CO., LTD. ALL RIGHTS RESERVED.



[www.taiwansemi.com](http://www.taiwansemi.com)