

1200V High Efficient Surface Mount Rectifier

1200V High Efficiency rectifiers for various power systems and offer the AEC-Q101 automotive grade options. The parts are targeted for bootstrap and de-saturate applications for IGBT or MOSFET gate drivers in high voltage battery systems of EV's. Additional applications include alternative energy systems, metering, lighting and rectification in HV power systems.

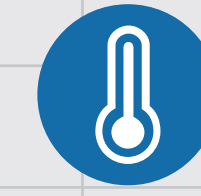
FEATURES



GLASS PASSIVATED
CHIP JUNCTION



LOW POWER LOSS
HIGH EFFICIENCY



T_j max, up to
175°C



IDEAL FOR
AUTOMATED
PLACEMENT



AUTOMOTIVE
QUALIFIED
AEC-Q101

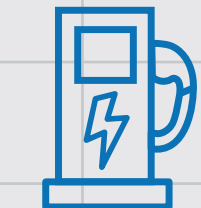
APPLICATIONS



AUTOMOTIVE



HIGH VOLTAGE
MOTOR



BATTERY
CHARGING
STATION



SWITCHING MODE
COVERTERS
AND INVERTERS



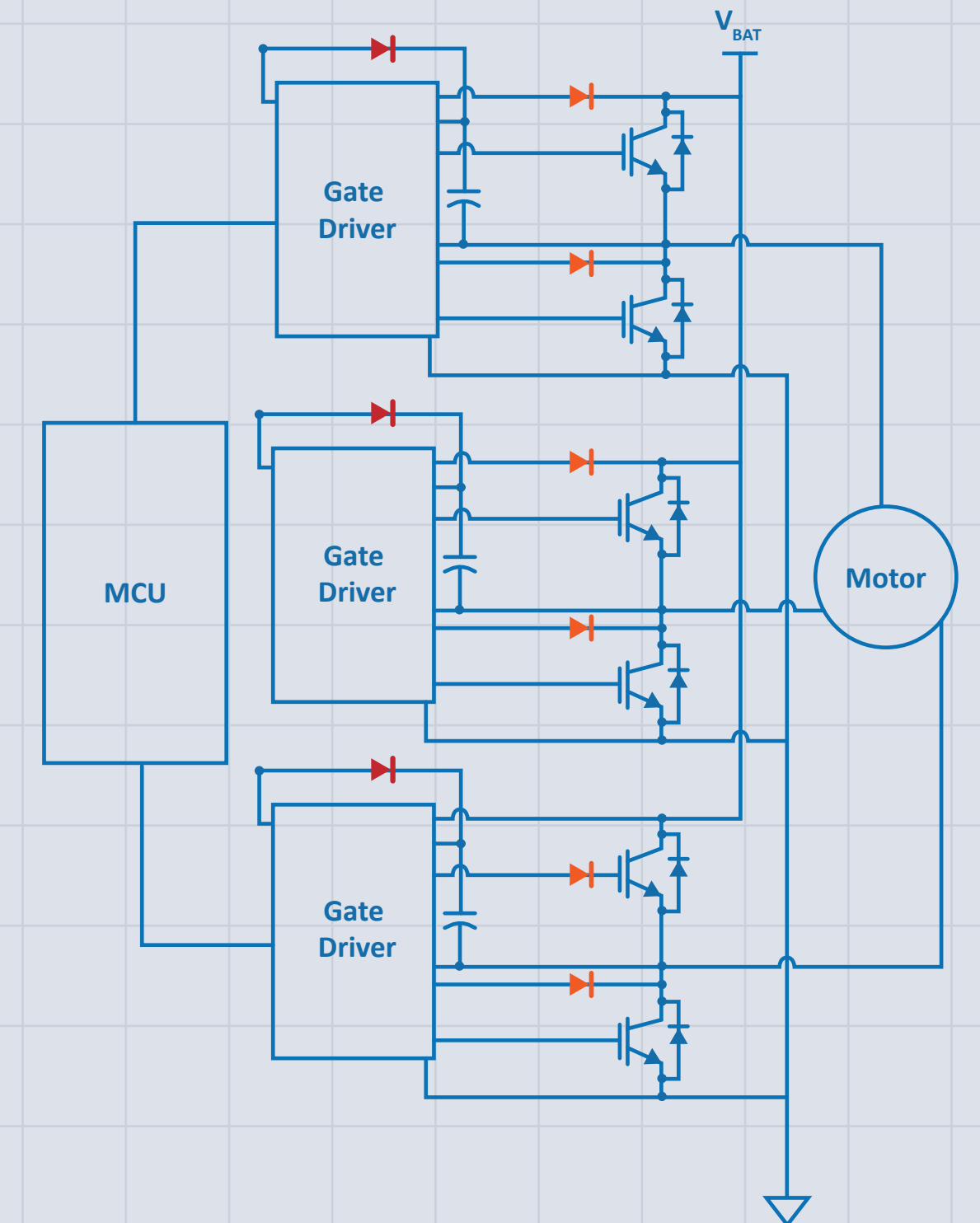
LIGHTING
APPLICATION

SPECIFICATION

Part number	Package	R_{RRM} (V)	I_F (A)	Max. v_F (V)	Max. t_{rr}	I_{fsm} (A)	Max. T_j (°C)
HS1Q	SMA	1200	1	1.9	75	20	175
HS1QH*							
HS1QB	SMB						
HS1QBH*							

*ACE-Q101 Qualified

General-Purpose Circuit



Bootstrap Rectifier

De-Saturated Rectifier



Official Website



X



LinkedIn

For more information: marketing@ts.com.tw

© 2024 TAIWAN SEMICONDUCTOR, CO., LTD. ALL RIGHTS RESERVED.



**TAIWAN
SEMICONDUCTOR**

www.taiwansemi.com